



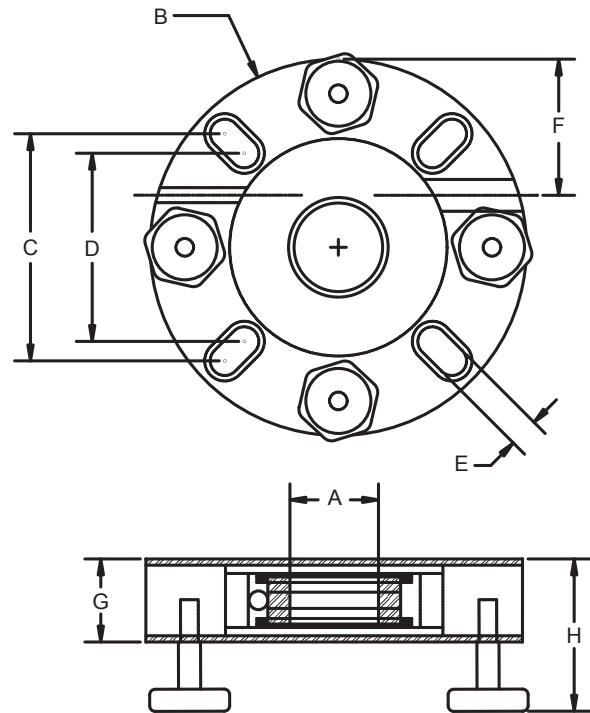
RX Series are specifically designed to address the need for a heavy duty food and pharmaceutical grade seal that can withstand the rigors of daily sanitization or sterilization. Capable of being applied to any environment that an SD Series seal would be utilized. The RX series push the capabilities further with enhanced ease of cleansing and rebuilding.

Additionally a third drain port allows for quick internal sanitization with out removing face of seal. Considerations to remember, this back mounted design needs to be incorporated with a bearing configuration that allows for easy access to face of seal.



## TECHNICAL DATA & DIMENSIONS

- **Min. & Max. Operating Temp. -60°F to 550°F**
- **Pressure Holding: 20 psig. Max**
- **Vacuum Holding: 10 hg. Max**
- **Air Purge Connection Start Pressure: 15 - 20 psig.**
- **Typical Air loss: 1.5 - 2.0 SCFM**
- **Torque setting for seal mounting: 60 LBS.**
- **Maximum Shaft Run Out: 1/4" TIR.**
- **Stuffing Box Misalignment: .015 TIR per inch of shaft**
- **Shaft Growth: +/- 1/16"**
- **Shaft Tolerance: +/- 1/16"**
- **Max. Out of Square Mounting Deviation: 1°**
- **Field Repairable: YES**
- **Food Service: YES**
- **Chemical Resistant Materials Available: YES**
- **High Temperature Versions Available: YES**
- **Custom Designs Available: YES**
- **Standard Housing Material: NYLON 66 NATURAL**
- **Standard Wear Plate Material: PEEK Un-Filled**
- **Standard Stainless Steel Type: 316SS**
- **Standard Elastomer Type: FDA Compliant EPDM**
- **Standard Seal Thickness: 1-7/8"**
- **Minimum Available Seal Thickness: 1-1/2"**



A - SHAFT DIA.	B - HOUSING	C - BOLT SQ. MAX	D - BOLT SQ. MIN	E - SLOT WIDTH	F - ELASTOMER ADJ.	G - AIR LINE	H - THICKNESS
1.50 - 1.69"	7.00"	4.25"	1.00"	.66"	2.62"	1.875"	3.50"
1.75 - 2.00"	8.50"	5.13"	4.25"	.66"	3.20"	1.875"	3.50"
2.25" - 2.50"	10.50"	5.88"	5.38"	.68"	3.51"	1.875"	3.50"
2.69" - 3.00"	11.25"	6.13"	5.88"	.80"	4.10"	1.875"	3.50"
3.38" - 3.50"	12.50"	7.48"	6.17"	.80"	4.50"	1.875"	3.50"
3.94" - 4.50"	13.50"	8.16"	6.67"	.94"	4.75"	1.875"	3.50"

Dimensionally configured for CEMA Standard 300-013 U-Trough End Plates. RX series seals are made to order. and are a non stocked item. For additional information please visit [www.agdproducts.com](http://www.agdproducts.com) or call **Toll Free 1-877-243-7325**

